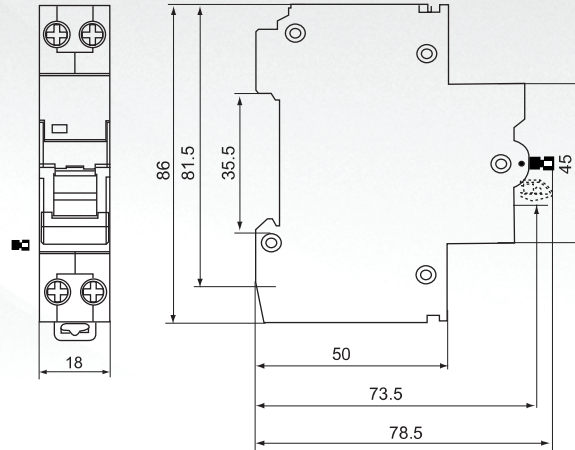
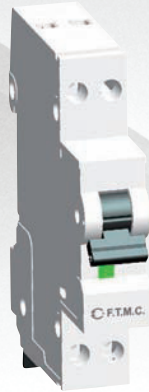


# F.T.M.C.Type DPN

## Mini Circuit Breaker (1P+N)



### Applications

- The state -of-the- art design
- Elegant appearance; cover and handle in arc shape make comfortable operation.
- Contact position indicating window
- Transparent cover designed to carry label
- Handle central-staying function for circuit fault indicating
- In case of overload to protected circuit, MCB handle trips and stays at central position, which enables a quick indicating to the faulty line. The handle can't stay in such position when operated manually.
- Handle padlock device
- MCB handle can be locked either at "ON" position or at "OFF" position to prevent unwanted operation of the product.

### Technical characteristics

Ref. No.	F100686
Pole No.	1P + N
Rated Voltage	AC 230V
Rated current (A)	6, 10, 16, 20, 25, 32
Tripping curve	C
Rated short - Circuit capacity (Icn)	4.5kA
Rated service short - Circuit capacity (Ics)	4.5kA
Rated frequency	50/60Hz
Electro - mechanical endurance	4000
Contact position indication	Pillar terminal with clamp
Connection terminal	Rigid conductor up to 10mm <sup>2</sup>
Connection capacity	1.2Nm
Fastening torque	On symmetrical DIN rail 35mm
Installation	Panel mounting
terminal Connection Height	H1=19mm H2=22mm