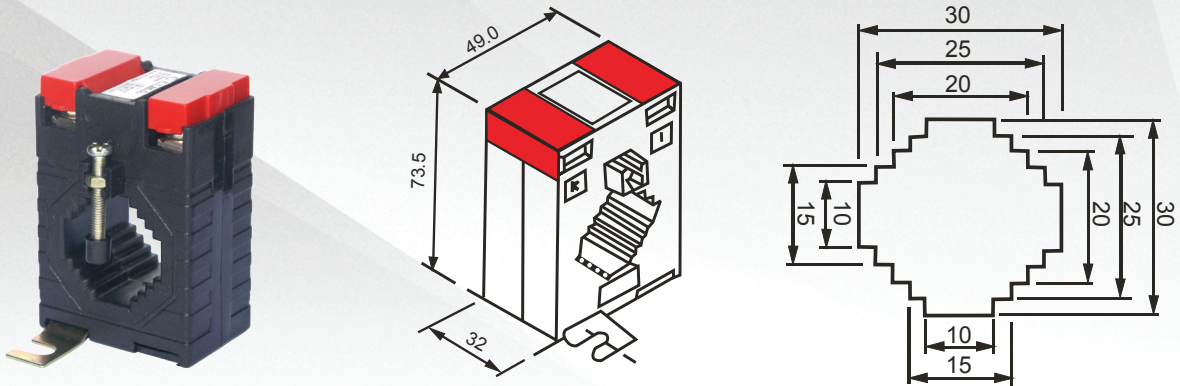


Current Transformer FTCCT FRAME 1 CT



Selection Chart

RATIO	Ref.No.		1.25 VA	2.5 VA	5 VA
5/60A	F101689	CLASS	3	-	-
5/75A	F101690	CLASS	3	-	-
5/80A	F101691	CLASS	3	-	-
5/100A	F101692	CLASS	1	-	-
5/125A	F101693	CLASS	1	-	-
5/150A	F101694	CLASS	1	3	-
5/160A	F103131	CLASS	-	-	1
5/200A	F101695	CLASS	-	1	-
5/250A	F101696	CLASS	-	1	-
5/300A	F101697	CLASS	-	1	3
5/400A	F101698	CLASS	-	-	1
5/500A	F101699	CLASS	-	-	1
5/600A	F101700	CLASS	-	-	1

FEATURES

- High quality material, flame retarding and self extinguishing.
- Apertures accepting a wide range of busbar size
- Easy Busbar Mounting
- CTs are ultrasonically welded and are unbreakable.
- Terminals are finger proof touch as per IEC class
- Highly Cost effective
- Compact in size