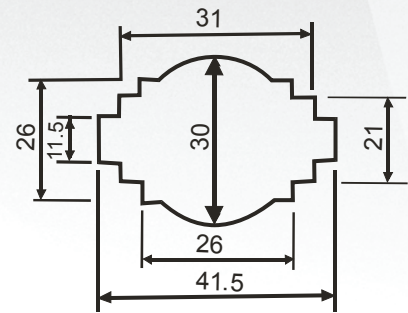
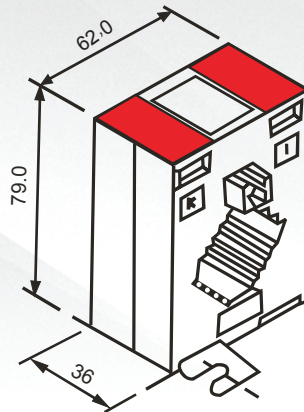


Current Transformer FTCCT FRAME 3 CT



Selection Chart

RATIO	Ref.No.		2.5 VA	5 VA	7.5 VA
150/5A	F101715	CLASS	1	-	-
200/5A	F101716	CLASS	-	1	-
250/5A	F101717	CLASS	-	1	-
300/5A	F101718	CLASS	-	1	-
400/5A	F101719	CLASS	-	1	3
500/5A	F101720	CLASS	-	-	1
600/5A	F101721	CLASS	-	-	1
750/5A	F101722	CLASS	-	-	1
800/5A	F101723	CLASS	-	-	1

FEATURES

- High quality material, flame retarding and self extinguishing.
- Apertures accepting a wide range of busbar size
- Easy Busbar Mounting
- CTs are ultrasonically welded and are unbreakable.
- Terminals are finger proof touch as per IEC class
- Highly Cost effective
- Compact in size